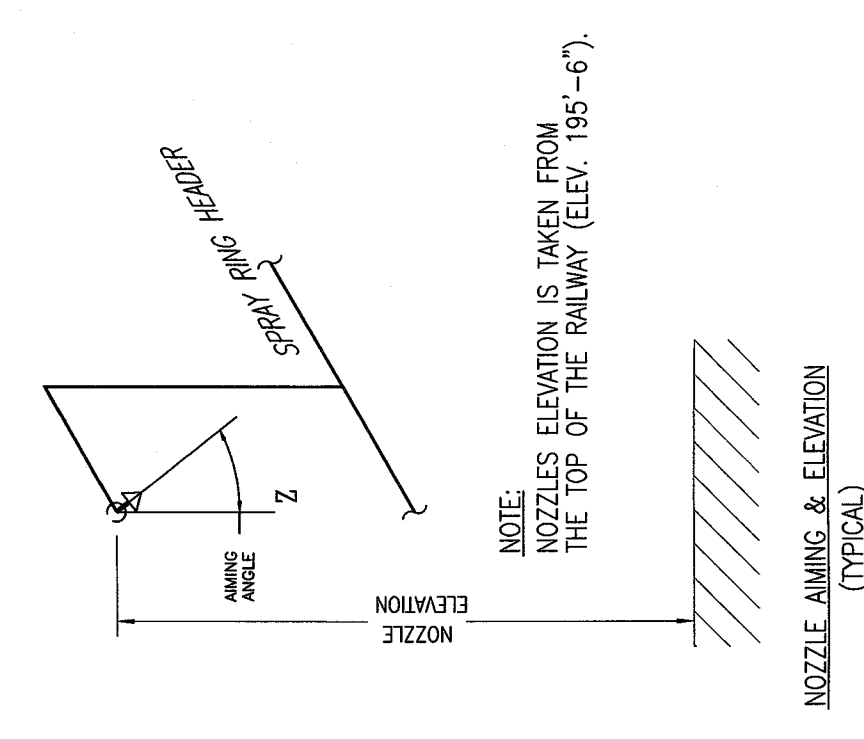
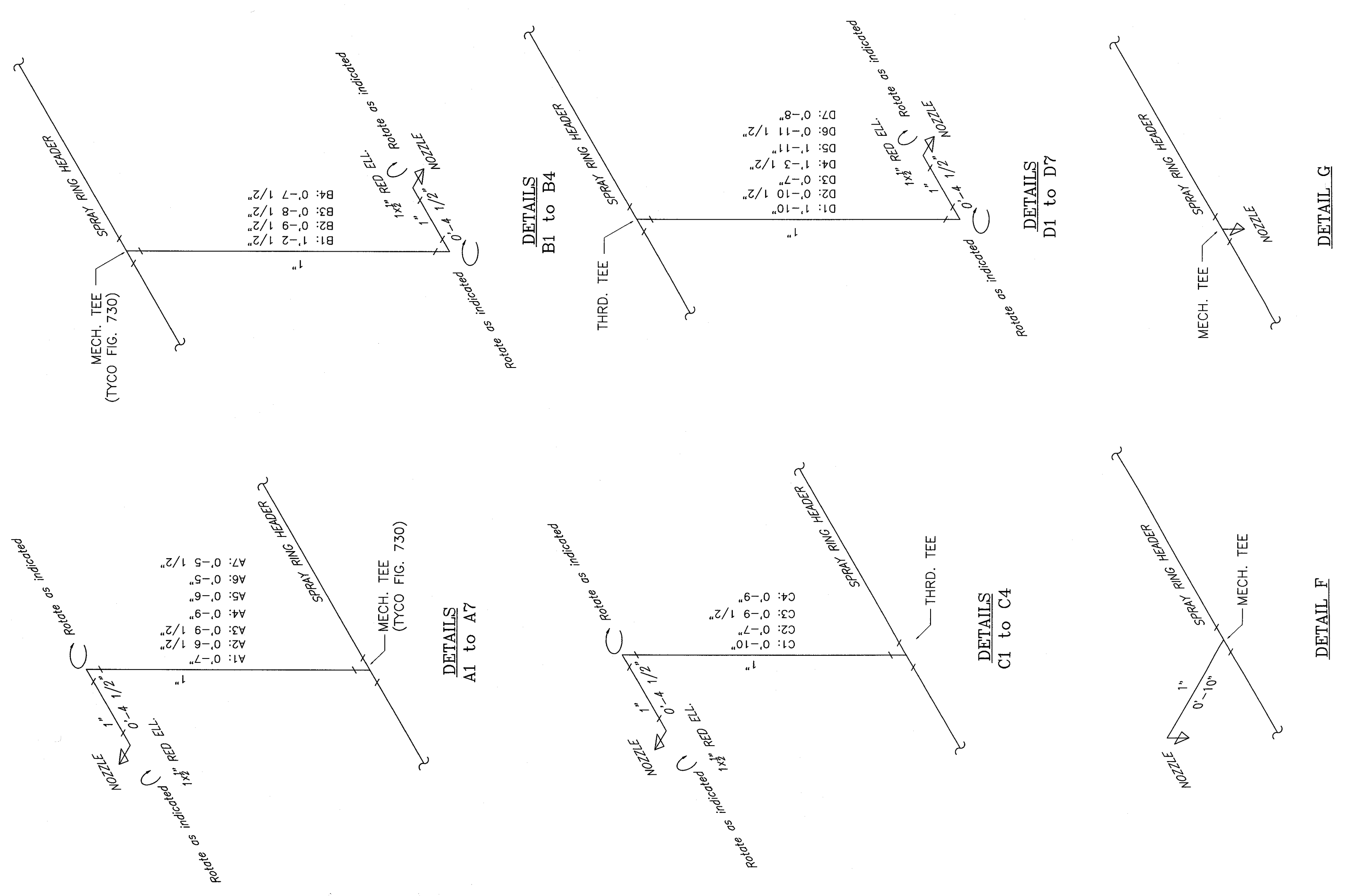


ISOMETRIC VIEW



TICO TYPE NO. NOZZLE SCHEDULE

Nozzle #	K - Factor	Elevation	Detail	Manufacturer Part #
N01	2.3	13'-3"	A1	P/N 88-241-1-00
N02	2.3	13'-3"	A1	P/N 88-241-1-00
N03	2.3	13'-3"	A1	P/N 88-241-1-00
N04	2.3	13'-3"	A1	P/N 88-241-1-00
N05	2.3	13'-3"	A1	P/N 88-241-1-00
N06	2.3	13'-3"	A1	P/N 88-241-1-00
N07	2.3	13'-3"	A1	P/N 88-241-1-00
N08	2.3	13'-3"	A1	P/N 88-241-1-00
N09	2.3	13'-3"	A1	P/N 88-241-1-00
N10	2.3	13'-3"	A1	P/N 88-241-1-00
N11	2.3	13'-3"	A1	P/N 88-241-1-00
N12	2.3	13'-3"	A1	P/N 88-241-1-00
N13	2.3	13'-3"	A1	P/N 88-241-1-00
N14	2.3	13'-3"	A1	P/N 88-241-1-00
N15	2.3	13'-3"	A1	P/N 88-241-1-00
N16	2.3	13'-3"	A1	P/N 88-241-1-00
N17	2.3	13'-3"	A1	P/N 88-241-1-00
N18	2.3	13'-3"	A1	P/N 88-241-1-00
N19	2.3	13'-3"	A1	P/N 88-241-1-00
N20	2.3	13'-3"	A1	P/N 88-241-1-00
N21	2.3	13'-3"	A1	P/N 88-241-1-00
N22	2.3	13'-3"	A1	P/N 88-241-1-00
N23	2.3	13'-3"	A1	P/N 88-241-1-00
N24	2.3	13'-3"	A1	P/N 88-241-1-00
N25	2.3	13'-3"	A1	P/N 88-241-1-00
N26	2.3	13'-3"	A1	P/N 88-241-1-00
N27	2.3	13'-3"	A1	P/N 88-241-1-00
N28	2.3	13'-3"	A1	P/N 88-241-1-00
N29	2.3	13'-3"	A1	P/N 88-241-1-00
N30	2.3	13'-3"	A1	P/N 88-241-1-00
N31	2.3	13'-3"	A1	P/N 88-241-1-00
N32	2.3	13'-3"	A1	P/N 88-241-1-00
N33	2.3	13'-3"	A1	P/N 88-241-1-00
N34	2.3	13'-3"	A1	P/N 88-241-1-00
N35	2.3	13'-3"	A1	P/N 88-241-1-00
N36	2.3	13'-3"	A1	P/N 88-241-1-00
N37	2.3	13'-3"	A1	P/N 88-241-1-00
N38	2.3	13'-3"	A1	P/N 88-241-1-00
N39	2.3	13'-3"	A1	P/N 88-241-1-00



NOZZLE TYPICAL DETAILS

DETAIL A1 TO A7

DETAIL B1 TO B4

DETAIL C1 TO C4

DETAIL D1 TO D7

DETAIL E

DETAIL F

DETAIL G